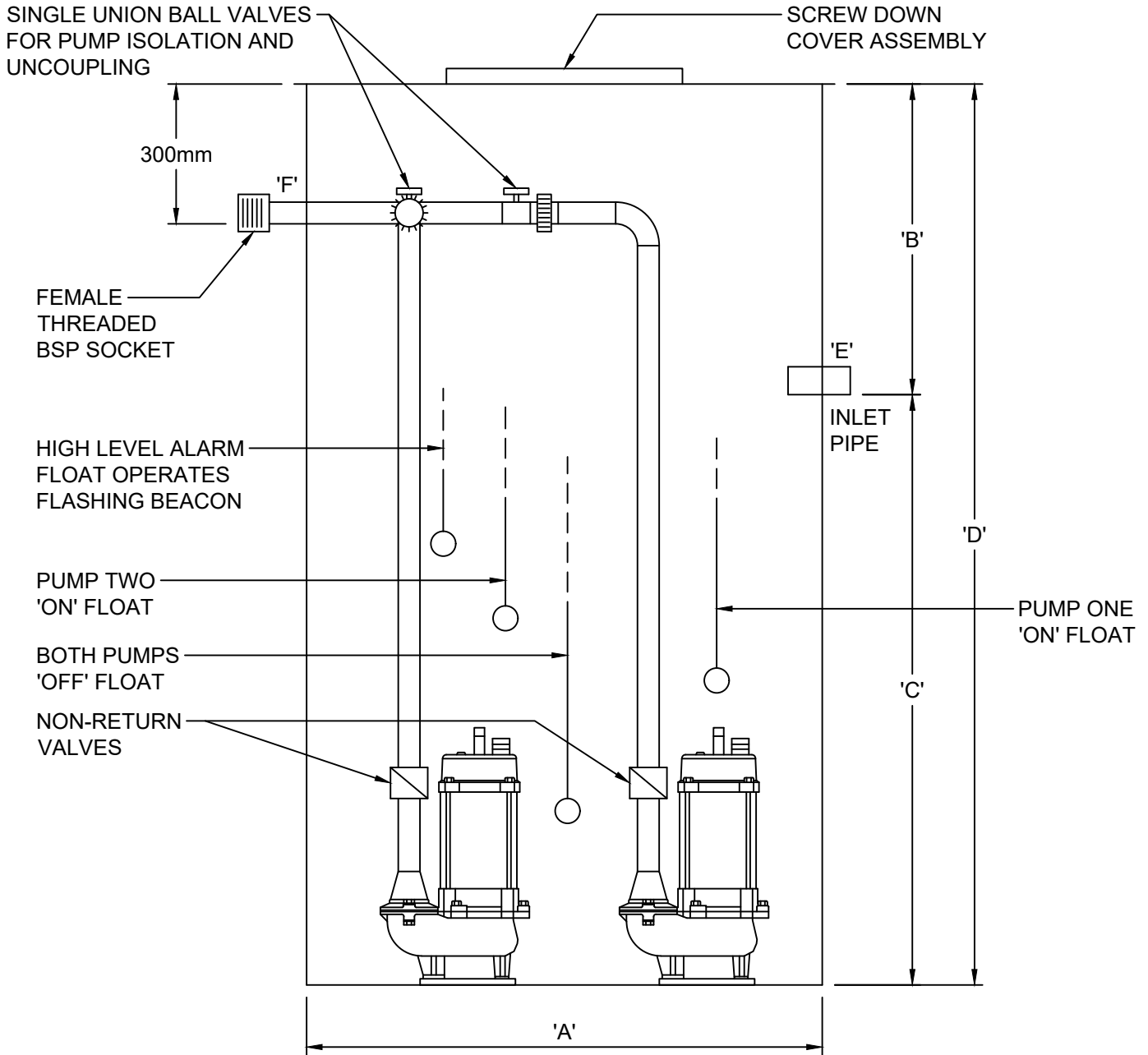




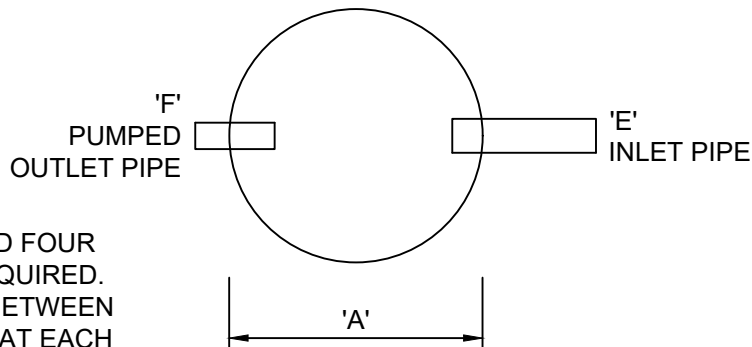
Established 1987

BIODIGESTER

'TWIN' PUMPING STATION FULL CONTROLS



SECTION



PLAN

CONTROL PANEL AND FOUR FLOAT SWITCHES REQUIRED. PANEL ALTERNATES BETWEEN USE OF BOTH PUMPS AT EACH OPERATION

ORIENTATION OF PIPES MAY BE VARIED TO SUIT SITE. ADVISE AS LOOKING DOWN ON CLOCK FACE.

NOT TO SCALE
OP5. - 12/10/18
Issue 10